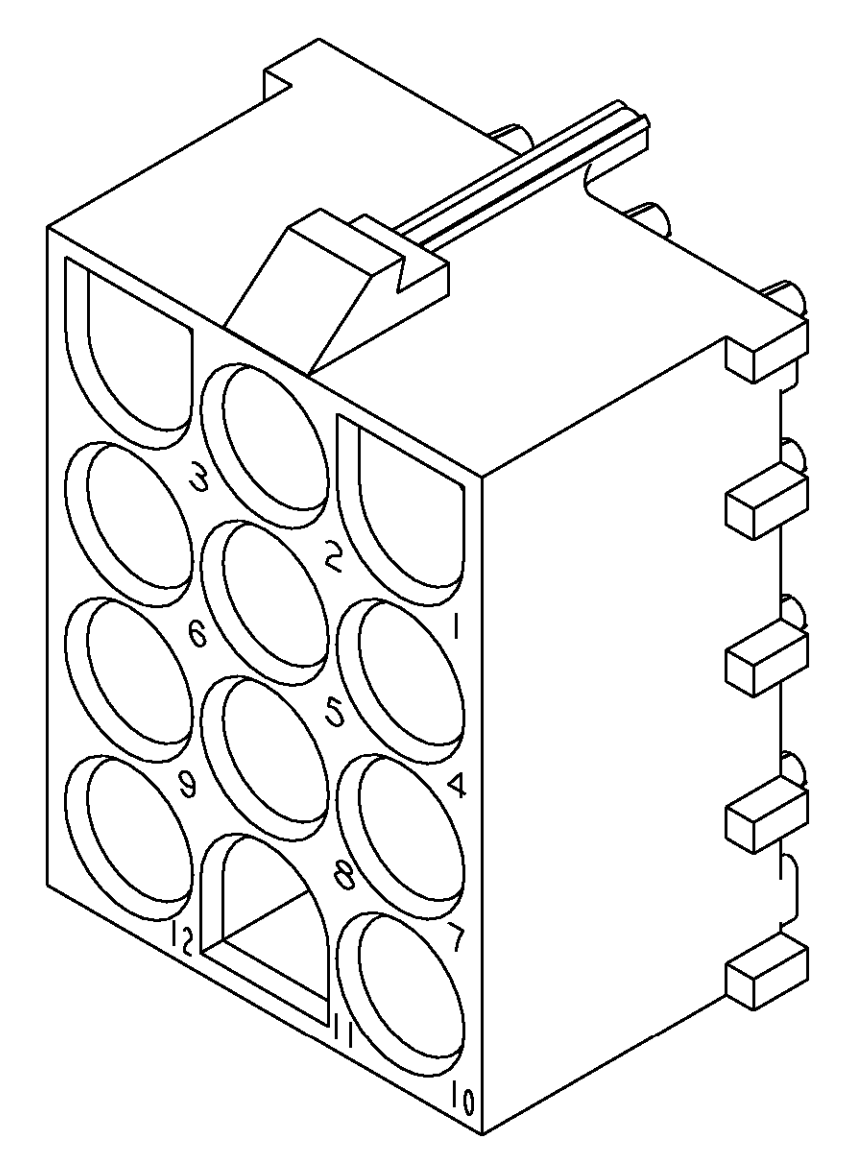
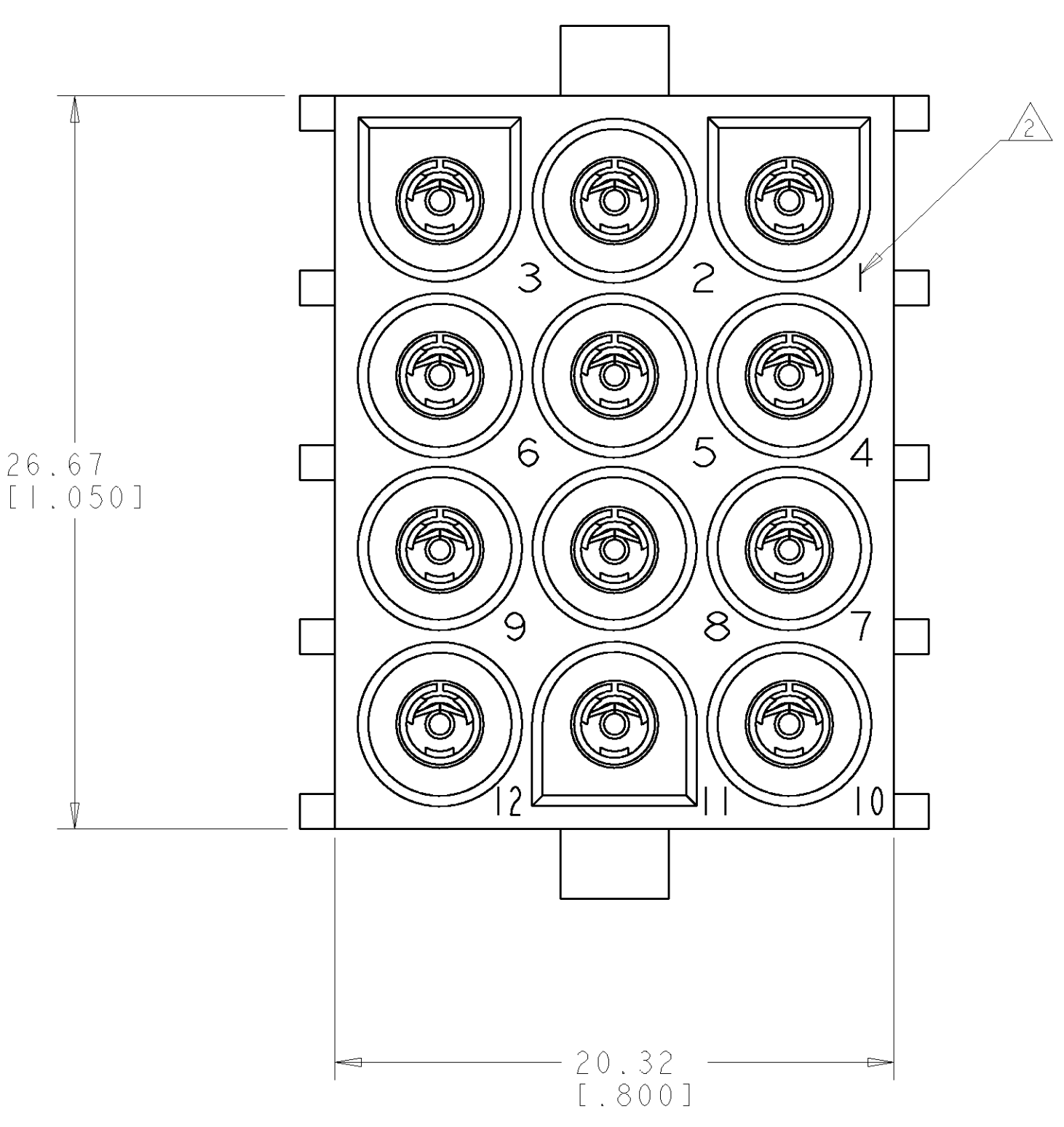
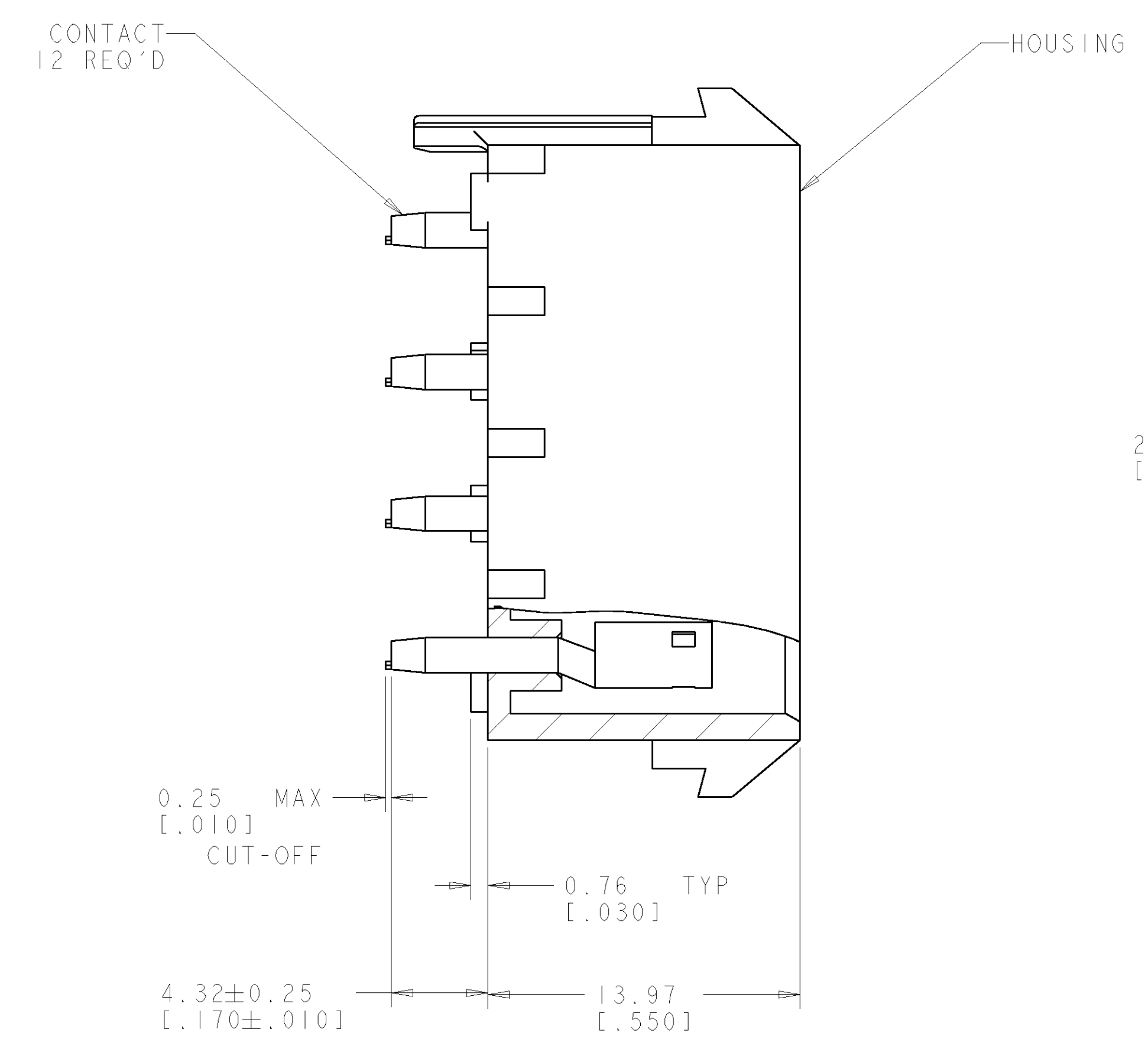
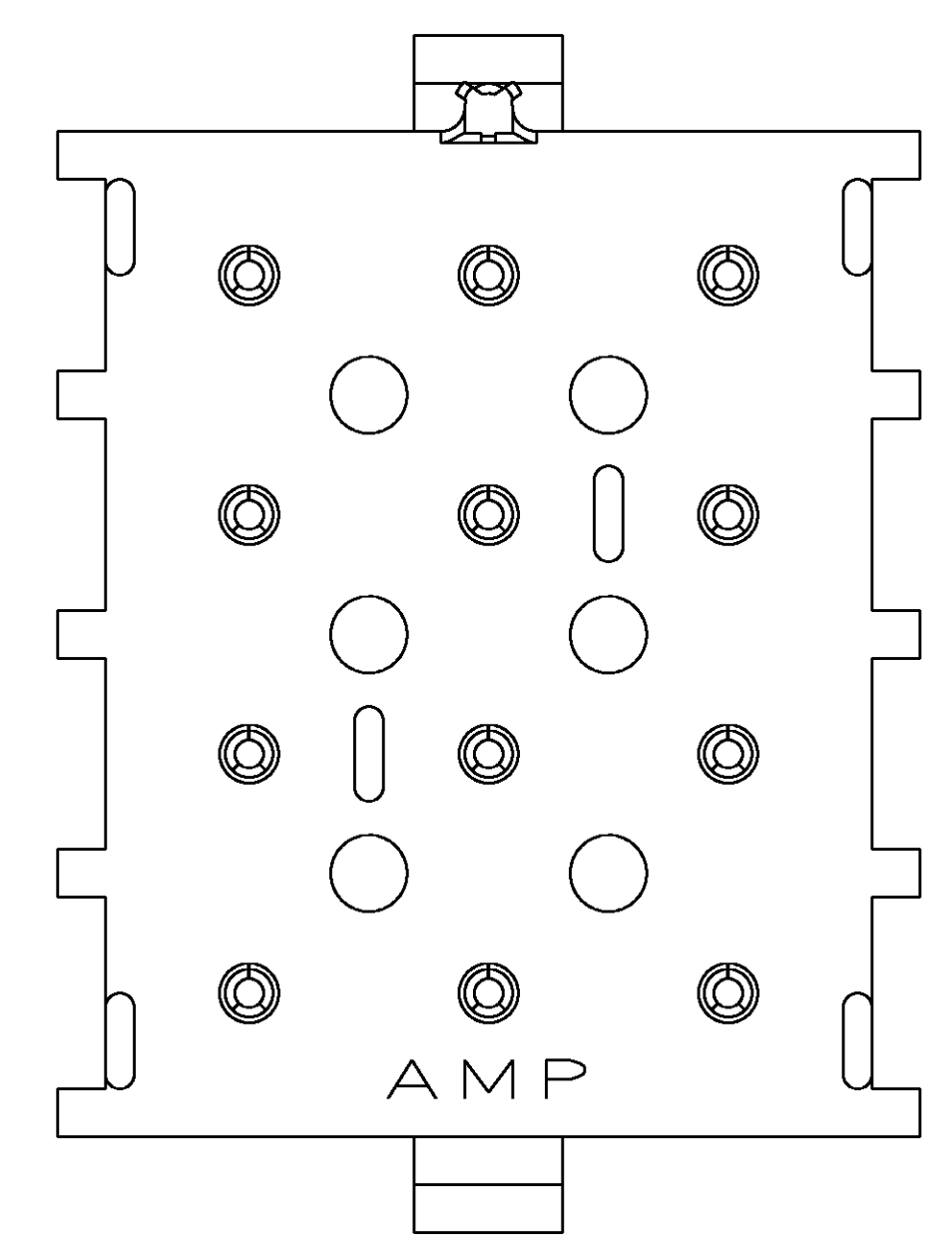
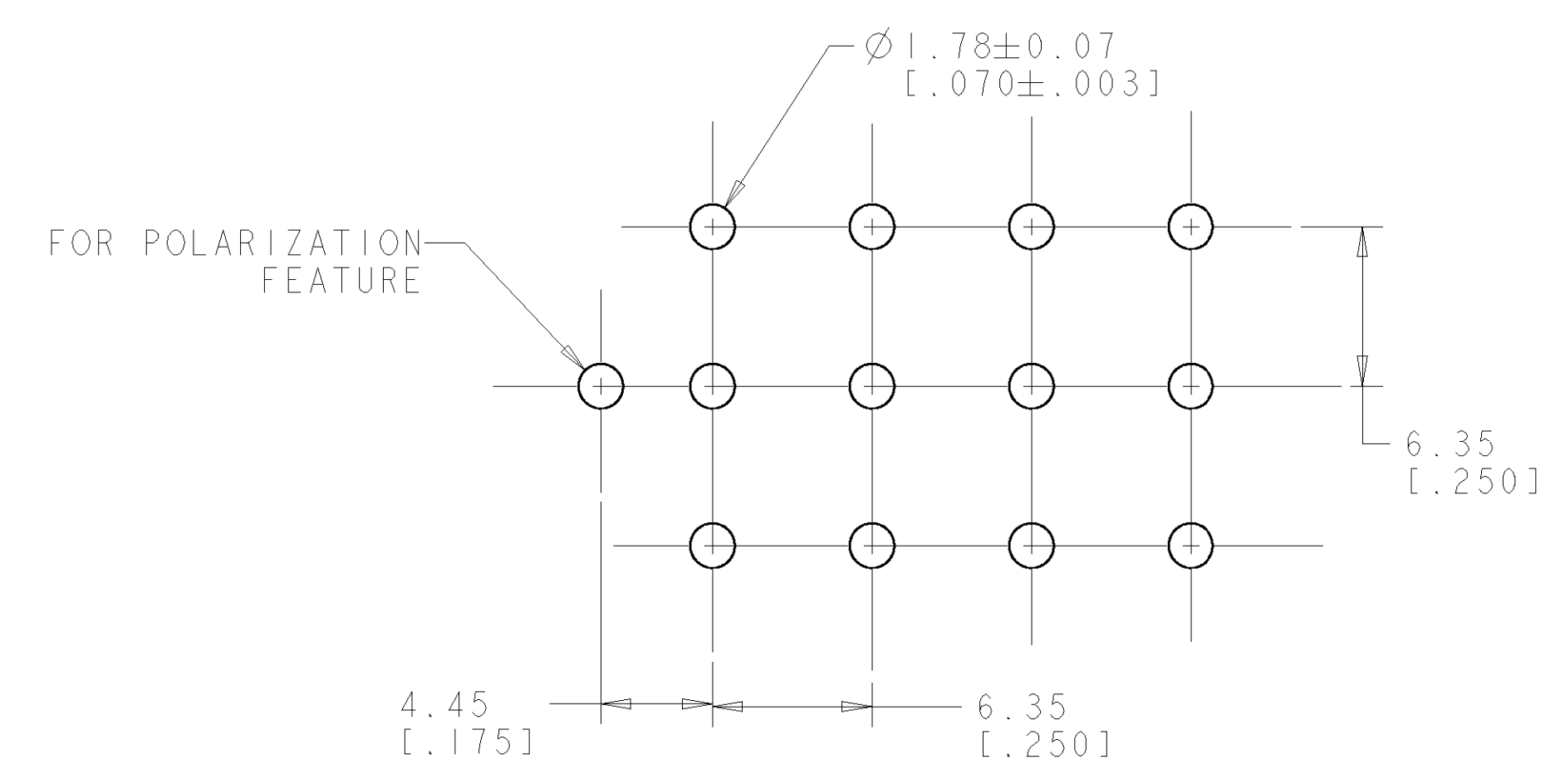


LOC		DIST		REVISIONS			
CM	00	P	LTR	DESCRIPTION	DATE	DWN	APVD
		0		REVISED PER 0638-0439-03	15-AUG-03	KW	SR

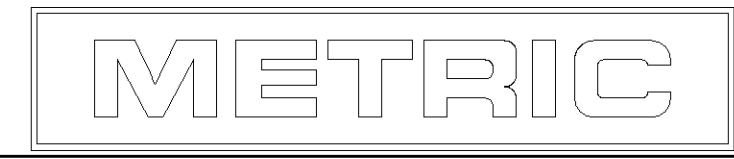
1. PARTS COMPLY WITH AMP SOLDERABILITY SPEC. 109-11-2.
 2. CIRCUIT IDENTIFICATION CHARACTERS ARE ADJACENT TO THE INDICATED CAVITIES, BUT LOCATION AND ORIENTATION MAY DIFFER FROM PRINT.



3 DIMENSIONAL MODEL
 SCALE 4:1



RECOMMENDED LAYOUT FOR
 1.57 [.062] THICK P.C. BOARD



PH BRZ	PRE-TIN	NYLON, 94V-2	NATURAL	1586215-1
MATERIAL	FINISH	MATERIAL	COLOR	PART NO
PIN		HOUSING		
DIMENSIONS: mm [INCHES]		TOLERANCES UNLESS OTHERWISE SPECIFIED:		
0 PLC ±		1 PLC ±		
2 PLC ±		3 PLC ±		
4 PLC ±		ANGLES ±		
FINISH SEE TABLE		WEIGHT -		
MATERIAL SEE TABLE		FINISH SEE TABLE		
CUSTOMER DRAWING		SCALE 5:1 SHEET 1 OF 1 REV 0		